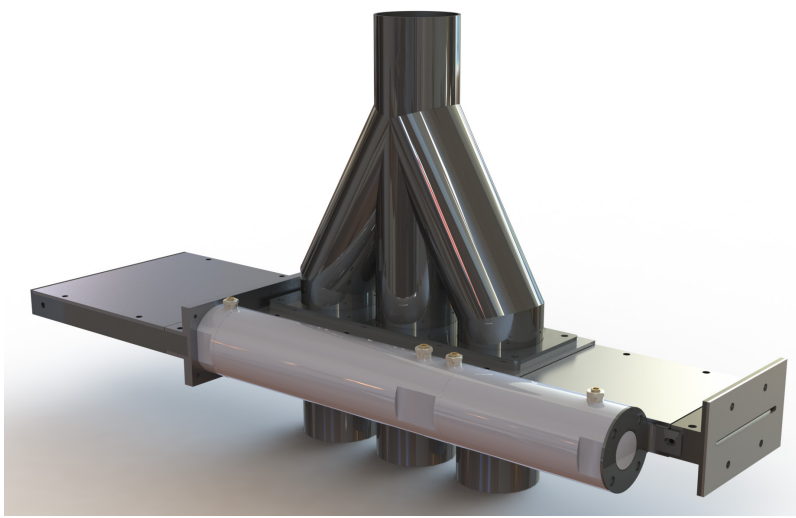


DIVERTERS

Y and FLEX DIVERTERS offer the option to direct material to one of two or more locations. Y diverters feature high-quality aluminum construction with a stainless steel blade. Flex Diverters reduce the possibility of cross-contamination, and feature premium polyurethane or Stainless Steel flex hose and a polycarbonate viewing window. Diverters are automatically actuated through the included pneumatic cylinder via the Simplicity Control system. Cylinder position switch gives visual indication (light and signal to system controls) that the diverter has moved into the correct position for process. This is a standard feature on all diverters.

FEATURES

- **Pneumatic Air Cylinder**
- **Stainless Steel and Aluminum Construction**
- **Pipe and Tube Sizes Available**



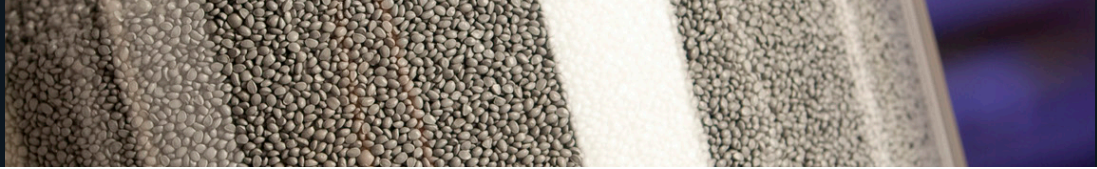
Three-Way Y Diverter



Three-Way Flex Diverter

ADVANCED BLENDING SOLUTIONS

manufactures a full line of vacuum convey, feeding, blending, and storage equipment for the plastics industry. Advanced Blending Solutions also offers a full line of PLC/PC-based controls for gravimetric extrusion control, vacuum sequence control, extruder/die temperature control, and blender control.



DIVERTER VALVES

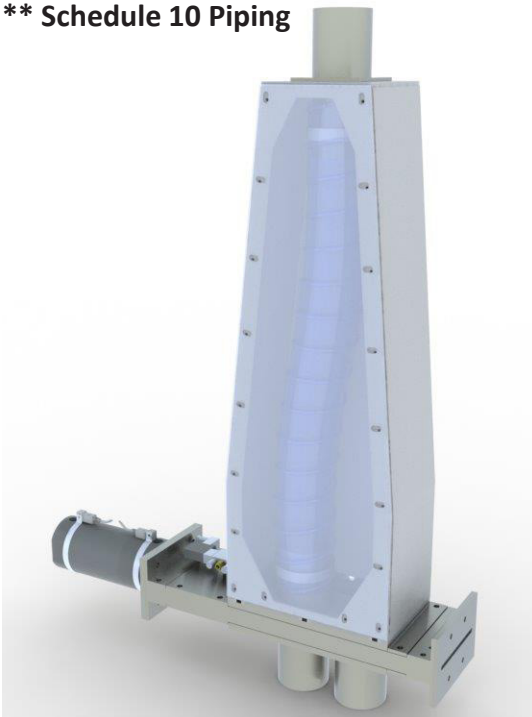
ITEM	DESCRIPTION	ORDER CODE	
Diverter Valve	Tube Diverter Valve	DVSG-T	
	Pipe Diverter Valve	DVSG-P	
Diverter Valve Type	2-way Y Diverter Valve	2W	
	3-way Y Diverter Valve	3W	
	2-way Flex Diverter Valve	2F	
	3-way Flex Diverter Valve	3F	
Inlet/Outlet Tube Sizes	SIZE	TUBE	PIPE
	1.5 inch	1500	1900*
	2 inch	2000	2375*
	2.5 inch	2500	2875**
	3 inch	3000	3500**
	3.5 inch	3500	4000**
	4 inch	4000	4500**
	4.5 inch	4500	-
	5 inch	5000	5563**
6 inch	6000	6625**	
8 inch	8000	8625**	
Hose Material	Stainless Steel	SS	
	Premium Flex Hose	PF	
Temperature	Standard Temp (<150°)	ST	
	High Temp (<350°)	HT	

ORDER CODE

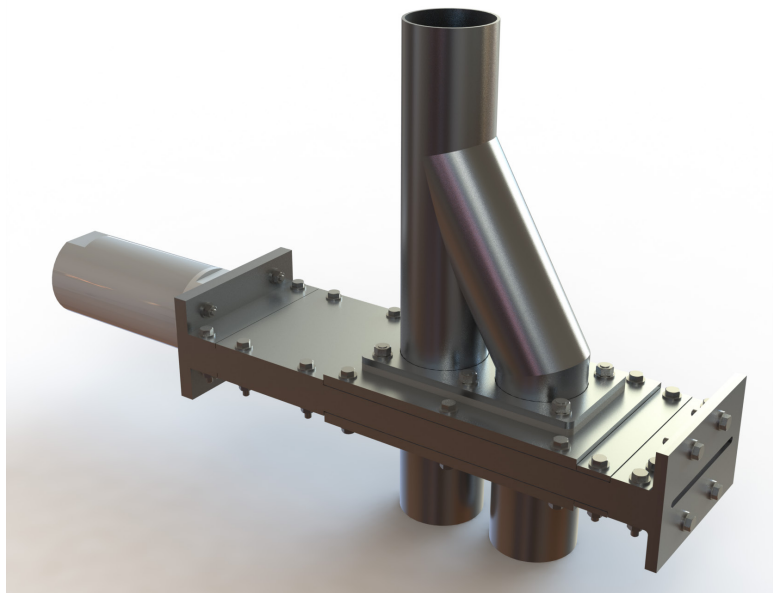
Insert Order Code Selections to Create Part Number: _____ - _____ - _____ - _____ - _____

*Schedule 40 Piping

** Schedule 10 Piping



Two-Way Flex Diverter



Two-Way Y Diverter