

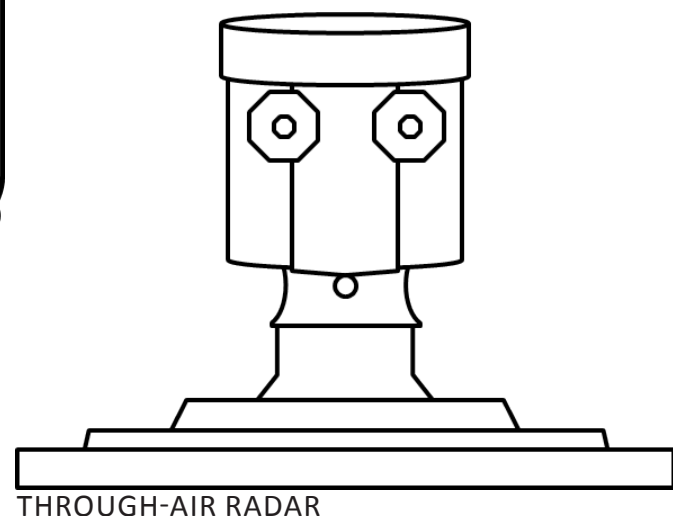
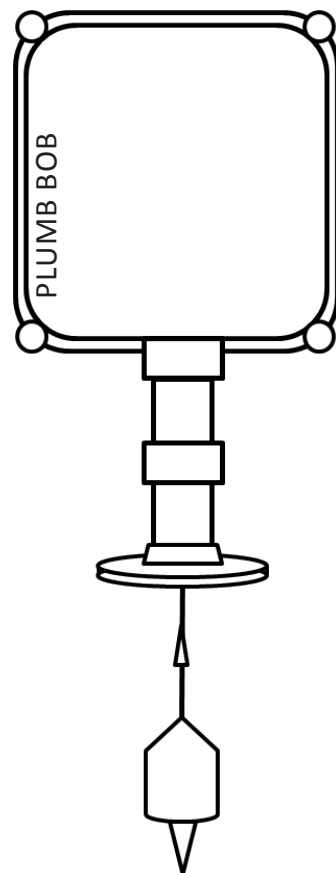
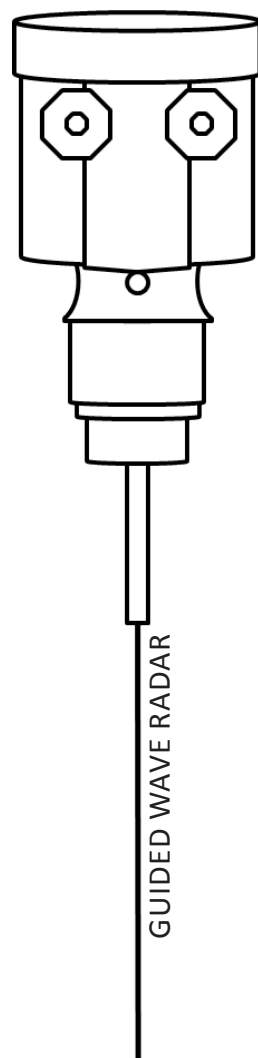
GUIDED WAVE RADAR is a continuous level sensor independent of contaminants, vapor, build-up, and condensation. It delivers a precise and reliable measured value for light-weight bulk solids. Wear- and maintenance-free, it keeps maintenance costs to a minimum. It features a 4-20 ma output, and 3/4" npt connection.

PLUMB BOB CONTINUOUS LEVEL SENSORS are cable-based level-sensors designed to handle harsh conditions.

THROUGH-AIR RADAR continuously measure bulk solids under different process conditions. They are ideal for level measurement in very high silos, large bunkers, and segmented vessels. Simple set-up and reliable measurement are ensured by good signal focusing.

CONTINUOUS LEVEL SENSORS

ITEM	DESCRIPTION	ORDER CODE
Continuous Level Sensor	Guided Wave Radar	RDR
	Plumb Bob	PB
	Through-Air Radar	TAR
Cable Length	For XX, insert cable length needed*	XX
Insert Order Code Selections to Create Part Number: _____ - _____		



March 2018/Laser-2

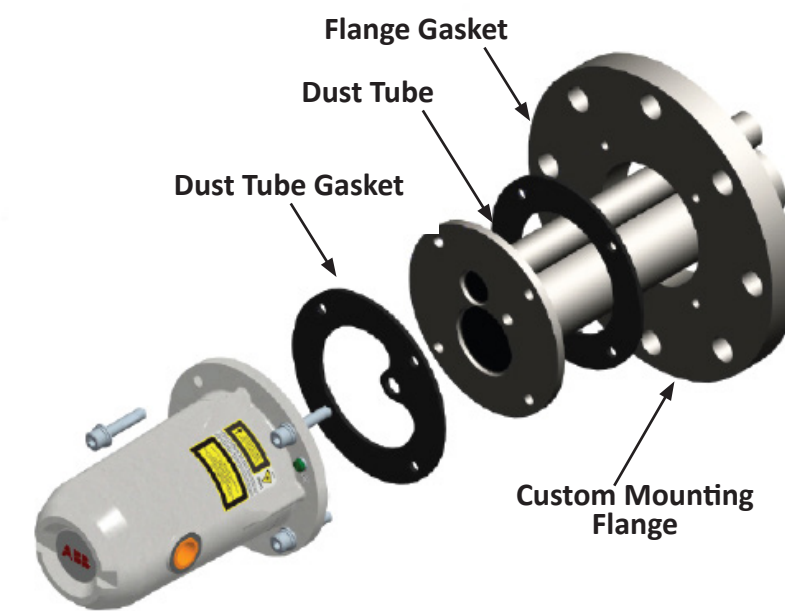
Advanced Blending Solutions | www.Adv-Blend.com
Ph. 888-204-5080 | Fx. 906-914-4179

LASER LEVEL SENSORS are non-contact, level-measuring instruments designed for granular solid materials and opaque liquids. Based on pulsed laser technology, the LM80 embodies speed and accuracy in an easy-to-use and install product. The characteristic narrow beam divergence of the laser permits direct aiming to the target surface without interference from structure or falling material. With both continuous 4-20 mA and single-point relay outputs, the LM80 can operate as a process control sensor while simultaneously providing high and low alarms. Whether measuring a few meters into the confined space of a crusher, or to the bottom of the tallest silo, the LM80 is the plug-and-play solution to level measurement.

- FEATURES**
- No calibration needed
 - Accurate alignment in narrow or tall vessels
 - Easy to install and configure without emptying the vessel
 - Up to 500 ft. measuring range
 - Measures all clearly visible surfaces irrespective of texture, granularity, slope, or color

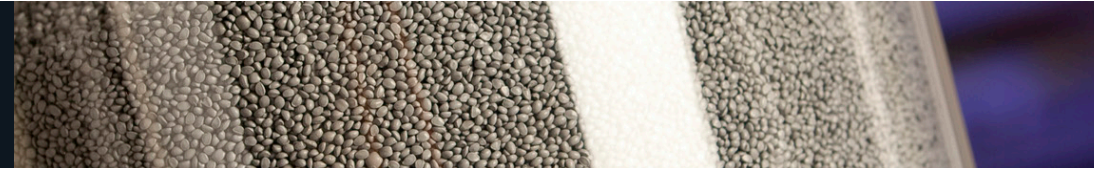
LASER LEVEL SENSOR

ITEM	DESCRIPTION	ORDER CODE
Laser Level Sensor	Laser Level Sensor	LM80
Options	Custom Mounting Flange	CST-MT
Insert Order Code Selections to Create Part Number: _____ - _____		



ADVANCED BLENDING SOLUTIONS manufactures a full line of vacuum convey, feeding, blending, and storage equipment for the plastics industry. Advanced Blending Solutions also offers a full line of PLC/PC-based controls for gravimetric extrusion control, vacuum sequence control, extruder/die temperature control, and blender control.

Advanced Blending Solutions | www.Adv-Blend.com
Ph. 888-204-5080 | Fx. 906-914-4179



ROTARY PADDLES are an economical and reliable sensor for the detection of dry bulk materials. Easy-to-Install switches can be used to eliminate bin overflow, maintain a predetermined material level, or indicate plugging of conveyors or pneumatic lines. Indicators include a shut-off feature that automatically shuts off the motor when the paddle is in a stalled position, extending the life of the motor and minimizing maintenance. It features a 1.25" npt process connection and relay output.

ROTARY PADDLES

ITEM	DESCRIPTION	ORDER CODE
Rotary Paddle	Single-Vane Paddle	RP1
Shaft Extensions (Option)	For XX, insert length needed, in 1 ft increments	XX
Insert Order Code Selections to Create Part Number: _____ - _____		

PROXIMITY SENSOR has an adjustable sensing range and an increased immunity to conducted radio frequency interference.

PROXIMITY SENSOR

ITEM	DESCRIPTION	ORDER CODE
Proximity Sensor	Proximity Sensor	PROX
Insert Order Code Selections to Create Part Number: _____		

TUNING FORK is a robust point level switch for fine-grained or powdery bulk solids. It features 1.5" npt process connection and relay output. The maintenance-free device is suitable for a wide variety of applications.

TUNING FORK

ITEM	DESCRIPTION	ORDER CODE
Tuning Fork	Tuning Fork	TF
Insert Order Code Selections to Create Part Number: _____		

VIBRATORY ROD is a standard length switch for the detection of bulk solids and powders. It features easy setup without adjustment, and is wear- and maintenance-free. Rod is easily cleaned and resists buildup.

VIBRATORY ROD

ITEM	DESCRIPTION	ORDER CODE
Vibratory Rod	Vibratory Rod	VBR
Shaft Extensions (Option)	For XX, insert length needed, in 1 ft increments	XX
Insert Order Code Selections to Create Part Number: _____ - _____		

ADJUSTABLE-LENGTH VIBRATORY ROD is perfect for silo applications. Unique Single-Prong Probe Design is ideal for lightweight materials including expanded polystyrene beads. The Vibratory Rod is unaffected by environmental and material changes and features high and low applications/air filtration back-up protection.

ADJUSTABLE-LENGTH VIBRATORY ROD

ITEM	DESCRIPTION	ORDER CODE
Vibratory Rod	Adjustable-Length Vibratory Rod	AVBR
Shaft Extensions (Option)	For XX, insert length needed, in 1 ft increments	XX
Insert Order Code Selections to Create Part Number: _____ - _____		

